

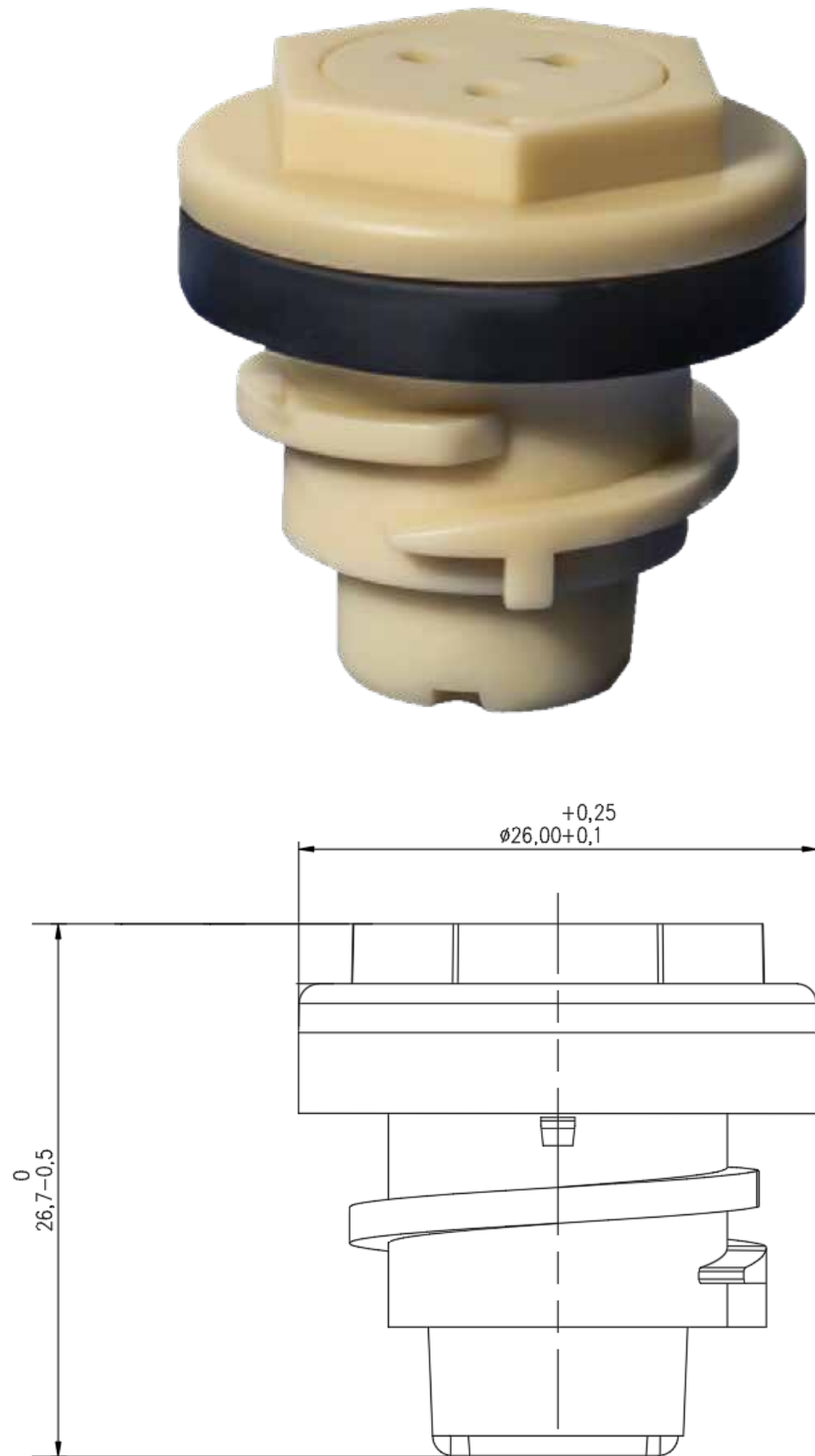


蓄電池安全閥

Battery safety valve

■ 湖北联鸿能源科技有限公司
Hubei Lham Energy Tech Co.,Ltd.

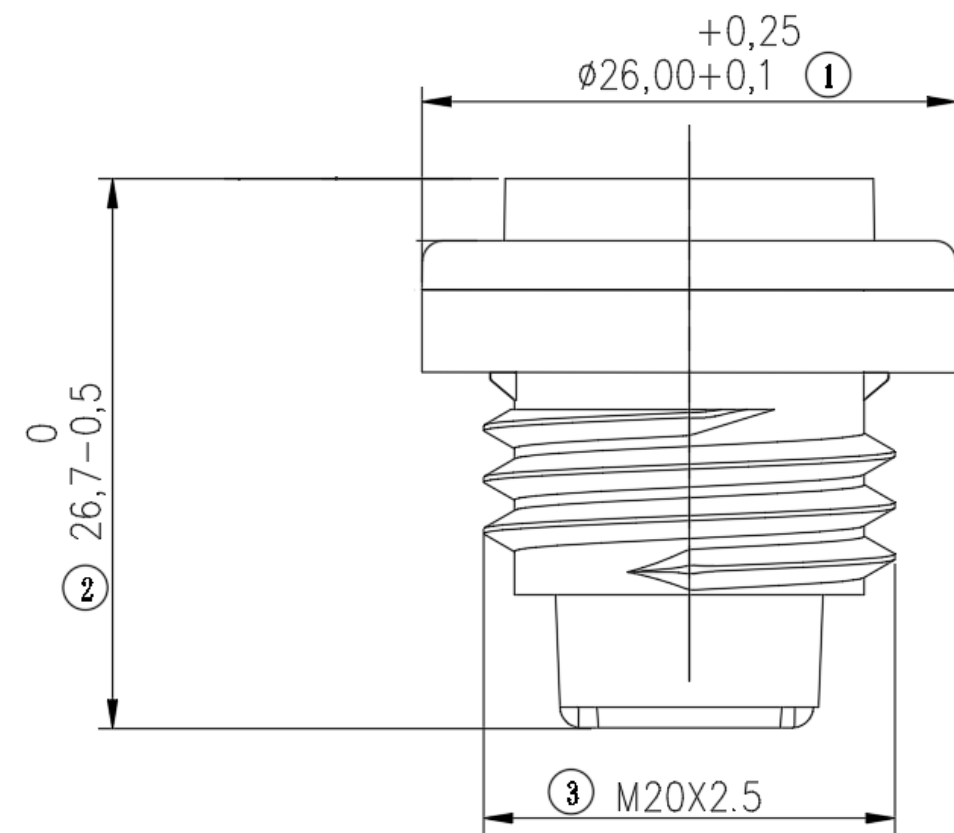
蓄电池安全阀 Battery safety valve



SP-A101-01A

主要尺寸 Specifications(mm)				性能参数 Parameters		
顶部直径 Head Diameter	螺纹直径 Screw Diameter	螺纹间距 Screw Pitch	长度 Length	产品性能检测 Condition	检测项目 Test Project	检测标准 Standard
26mm			26.7mm	正常检测 Basic detection	开阀压力 Opening Valve pressure	12.5±2Kpa
					闭阀压力 Closing Valve pressure	11.5±2Kpa
					开闭阀压力差 Valve pressure defference	≤1.0Kpa
				耐酸耐腐蚀试验 Acid and corrosion resistance test	开阀压力 Opening Valve pressure	12.5±2Kpa
					闭阀压力 Closing Valve pressure	11.5 ⁺³ ₋₂ Kpa
					开闭阀压力差 Valve pressure defference	≤2.0Kpa
				高低温试验 (高温90°C低温-30°C/48H) High and low temperature resistance test (high temperature 90 °C /48H)	开阀压力 Opening Valve pressure	12.5±2Kpa
					闭阀压力 Closing Valve pressure	11.5 ⁺³ ₋₂ Kpa
					开闭阀压力差 Valve pressure defference	≤2.0Kpa
				耐老化试验 (高温90°C/90天) Aging resistance test (high temperature 90 °C /90days)	开阀压力 Opening Valve pressure	12.5 ⁺² ₋₃ Kpa
					闭阀压力 Closing Valve pressure	11.5±3Kpa
					开闭阀压力差 Valve pressure defference	≤2.0Kpa
				(40±1)°C 水浴中箱内的50%深度循环放电测试和 (75±2)°C 高温稳定测试(40±1)°C 50% deep cycle discharge test in the water bath and (75±2)°C high temperature stability test	质量变化率 Mass change fraction	≤3%
				工作环境 Working environment test	~40°C~+80°C	正常
橡胶垫圈 Rubber gasket	邵氏A硬度 Shaw A hardness	53±3°				
	腐蚀后断裂延长率 Elongation at break after corrosion	≥300%				
	腐蚀后拉伸强度 Tensile strength after corrosion	≥5Mpa				
	压缩永久变形 (90°C/22h) Compression set (90 °C/22h)	≤30%				

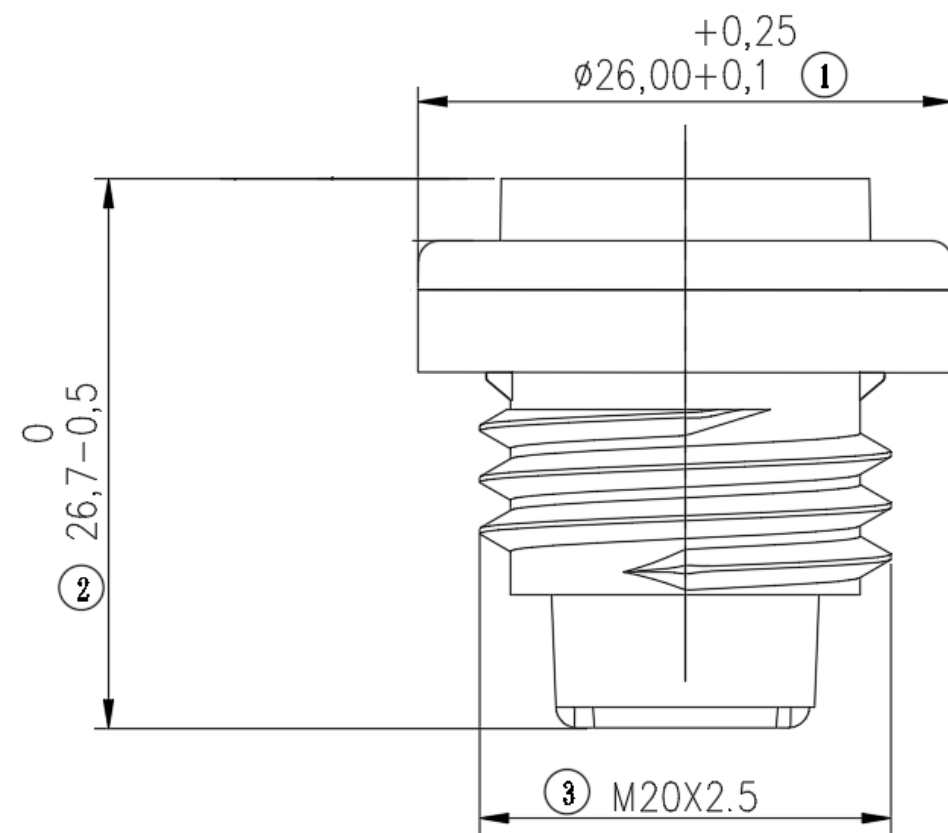
蓄电池安全阀 Battery safety valve



SP-A101-02A

主要尺寸 Specifications (mm)				性能参数 Parameters						
顶部直径 Head Diameter	螺纹直径 Screw Diameter	螺纹间距 Screw Pitch	长度 Length	产品性能检测 Condition	检测项目 Test Project	检测标准 Standard				
26mm	M20mm	2.5mm	26.7mm	正常检测 Basic detection	开阀压力 Opening Valve pressure	12.5±2Kpa				
					闭阀压力 Closing Valve pressure	11.5±2Kpa				
					开闭阀压力差 Valve pressure defference	≤1.0Kpa				
				耐酸耐腐蚀试验 Acid and corrosion resistance test	开阀压力 Opening Valve pressure	12.5±2Kpa				
					闭阀压力 Closing Valve pressure	11.5 ⁺³ ₋₂ Kpa				
					开闭阀压力差 Valve pressure defference	≤2.0Kpa				
				高低温试验 (高温90°C低温-30°C/48H) High and low temperature resistance test (high temperature 90 °C /48H)	开阀压力 Opening Valve pressure	12.5±2Kpa				
					闭阀压力 Closing Valve pressure	11.5 ⁺³ ₋₂ Kpa				
					开闭阀压力差 Valve pressure defference	≤2.0Kpa				
				耐老化试验 (高温90°C/90天) Aging resistance test (high temperature 90 °C /90days)	开阀压力 Opening Valve pressure	12.5 ⁺² ₋₃ Kpa				
					闭阀压力 Closing Valve pressure	11.5±3Kpa				
					开闭阀压力差 Valve pressure defference	≤2.0Kpa				
				(40±1)°C 水浴中箱内的50%深度循环放电测试和 (75±2)°C 高温稳定测试 (40±1)°C 50% deep cycle discharge test in the water bath and (75±2)°C high temperature stability test					质量变化率 Mass change fraction	≤3%
				工作环境 Working environment test					~40°C~+80°C	正常
橡胶垫圈 Rubber gasket					邵氏A硬度 Shaw A hardness	53±3°				
					腐蚀后断裂延长率 Elongation at break after corrosion	≥300%				
					腐蚀后拉伸强度 Tensile strength after corrosion	≥5Mpa				
					压缩永久变形 (90°C/22h) Compression set (90 °C/22h)	≤30%				

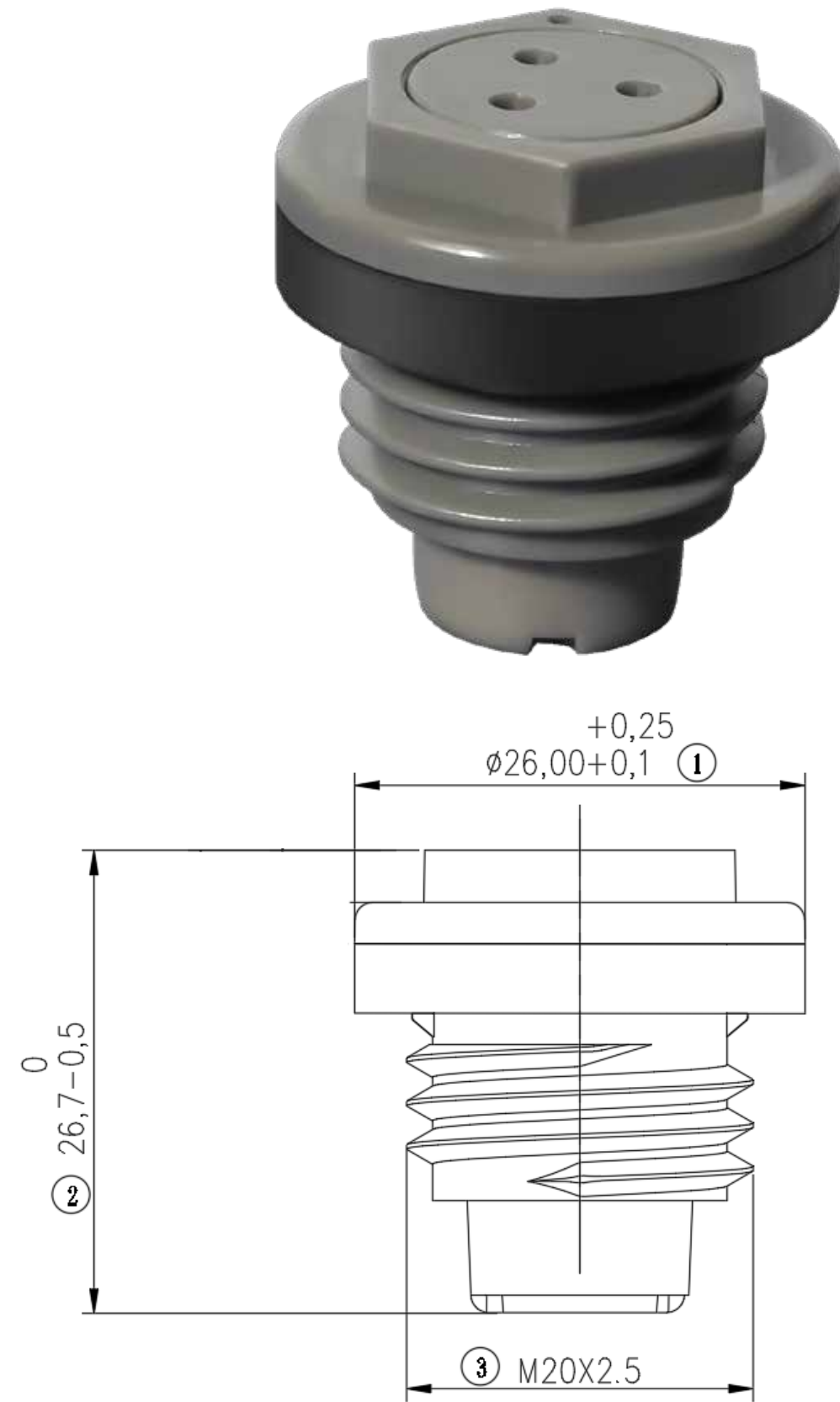
蓄电池安全阀 Battery safety valve



SP-A101-02B

主要尺寸 Specifications (mm)				性能参数 Parameters						
顶部直径 Head Diameter	螺纹直径 Screw Diameter	螺纹间距 Screw Pitch	长度 Length	产品性能检测 Condition	检测项目 Test Project	检测标准 Standard				
26mm	M20mm	2.5mm	26.7mm	正常检测 Basic detection	开阀压力 Opening Valve pressure	12.5±2Kpa				
					闭阀压力 Closing Valve pressure	11.5±2Kpa				
					开闭阀压力差 Valve pressure defference	≤1.0Kpa				
				耐酸耐腐蚀试验 Acid and corrosion resistance test	开阀压力 Opening Valve pressure	12.5±2Kpa				
					闭阀压力 Closing Valve pressure	11.5 ⁺³ ₋₂ Kpa				
					开闭阀压力差 Valve pressure defference	≤2.0Kpa				
				高低温试验 (高温90°C低温-30°C/48H) High and low temperature resistance test (high temperature 90 °C /48H)	开阀压力 Opening Valve pressure	12.5±2Kpa				
					闭阀压力 Closing Valve pressure	11.5 ⁺³ ₋₂ Kpa				
					开闭阀压力差 Valve pressure defference	≤2.0Kpa				
				耐老化试验 (高温90°C/90天) Aging resistance test (high temperature 90 °C /90days)	开阀压力 Opening Valve pressure	12.5 ⁺² ₋₃ Kpa				
					闭阀压力 Closing Valve pressure	11.5±3Kpa				
					开闭阀压力差 Valve pressure defference	≤2.0Kpa				
				(40±1)°C 水浴中箱内的50%深度循环放电测试和 (75±2)°C 高温稳定测试(40±1)°C 50% deep cycle discharge test in the water bath and (75±2)°C high temperature stability test					质量变化率 Mass change fraction	≤3%
				工作环境 Working environment test					-40°C~+80°C	正常
				橡胶垫圈 Rubber gasket					邵氏A硬度 Shaw A hardness	53±3°
									腐蚀后断裂延长率 Elongation at break after corrosion	≥300%
腐蚀后拉伸强度 Tensile strength after corrosion	≥5Mpa									
压缩永久变形 (90°C/22h) Compression set (90 °C/22h)	≤30%									

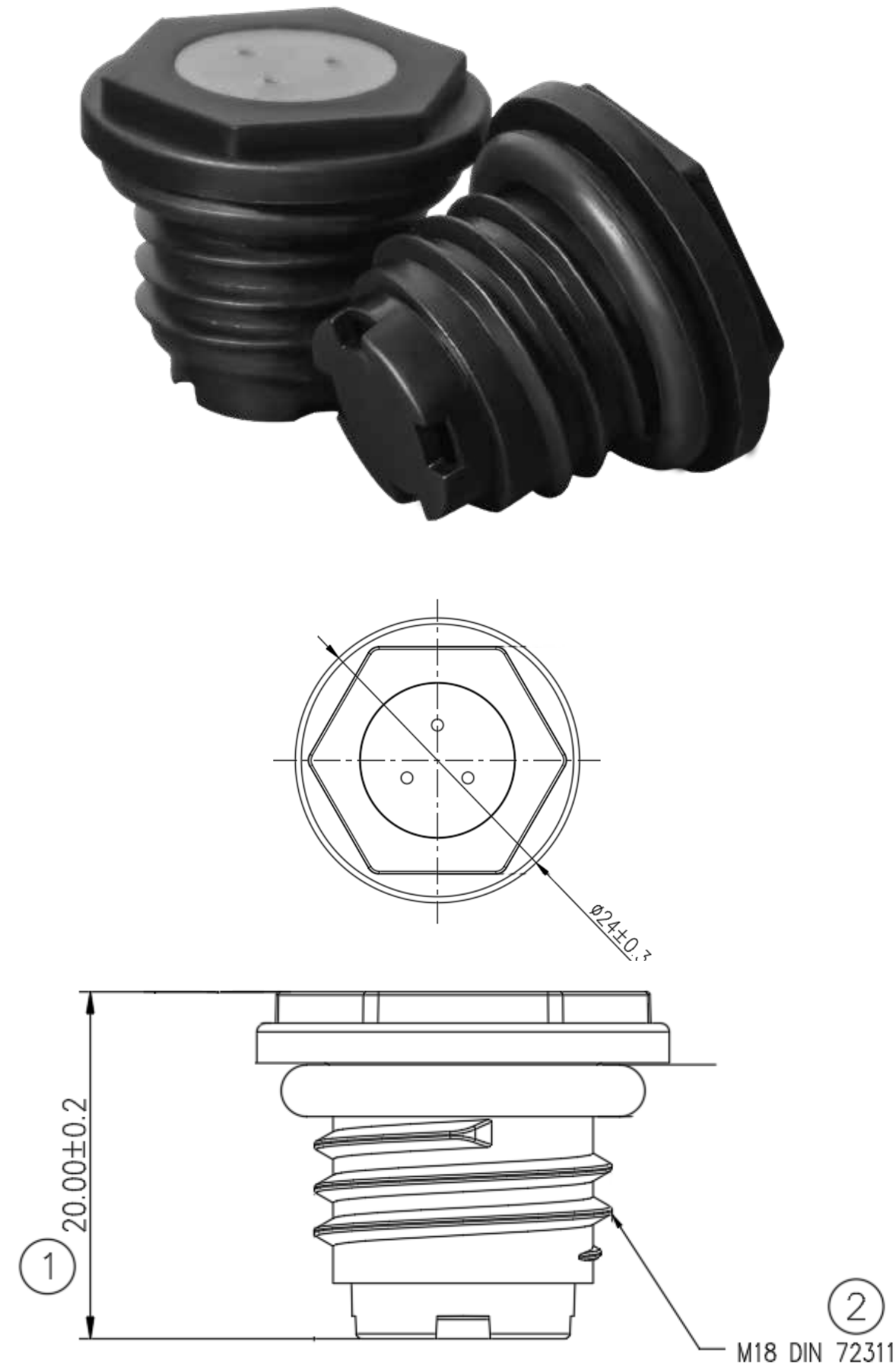
蓄电池安全阀 Battery safety valve



SP-A101-02C

主要尺寸 Specifications(mm)				性能参数 Parameters		
顶部直径 Head Diameter	螺纹直径 Screw Diameter	螺纹间距 Screw Pitch	长度 Length	产品性能检测 Condition	检测项目 Test Project	检测标准 Standard
26mm	M20mm	2.5mm	26.7mm	正常检测 Basic detection	开阀压力 Opening Valve pressure	12.5±2Kpa
					闭阀压力 Closing Valve pressure	11.5±2Kpa
					开闭阀压力差 Valve pressure defference	≤1.0Kpa
				耐酸耐腐蚀试验 Acid and corrosion resistance test	开阀压力 Opening Valve pressure	12.5±2Kpa
					闭阀压力 Closing Valve pressure	11.5 ⁺³ ₋₂ Kpa
					开闭阀压力差 Valve pressure defference	≤2.0Kpa
				高低温试验 (高温90°C低温-30°C/48H) High and low temperature resistance test (high temperature 90 °C /48H)	开阀压力 Opening Valve pressure	12.5±2Kpa
					闭阀压力 Closing Valve pressure	11.5 ⁺³ ₋₂ Kpa
					开闭阀压力差 Valve pressure defference	≤2.0Kpa
				耐老化试验 (高温90°C/90天) Aging resistance test (high temperature 90 °C /90days)	开阀压力 Opening Valve pressure	12.5 ⁺² ₋₃ Kpa
					闭阀压力 Closing Valve pressure	11.5±3Kpa
					开闭阀压力差 Valve pressure defference	≤2.0Kpa
				(40±1)°C 水浴中箱内的50%深度循环放电测试和 (75±2)°C 高温稳定测试(40±1)°C 50% deep cycle discharge test in the water bath and (75±2)°C high temperature stability test	质量变化率 Mass change fraction	≤3%
				工作环境 Working environment test	~40°C~+80°C	正常
				橡胶垫圈 Rubber gasket	邵氏A硬度 Shaw A hardness	53±3°
					腐蚀后断裂延长率 Elongation at break after corrosion	≥300%
腐蚀后拉伸强度 Tensile strength after corrosion	≥5Mpa					
压缩永久变形 (90°C/22h) Compression set (90 °C/22h)	≤30%					

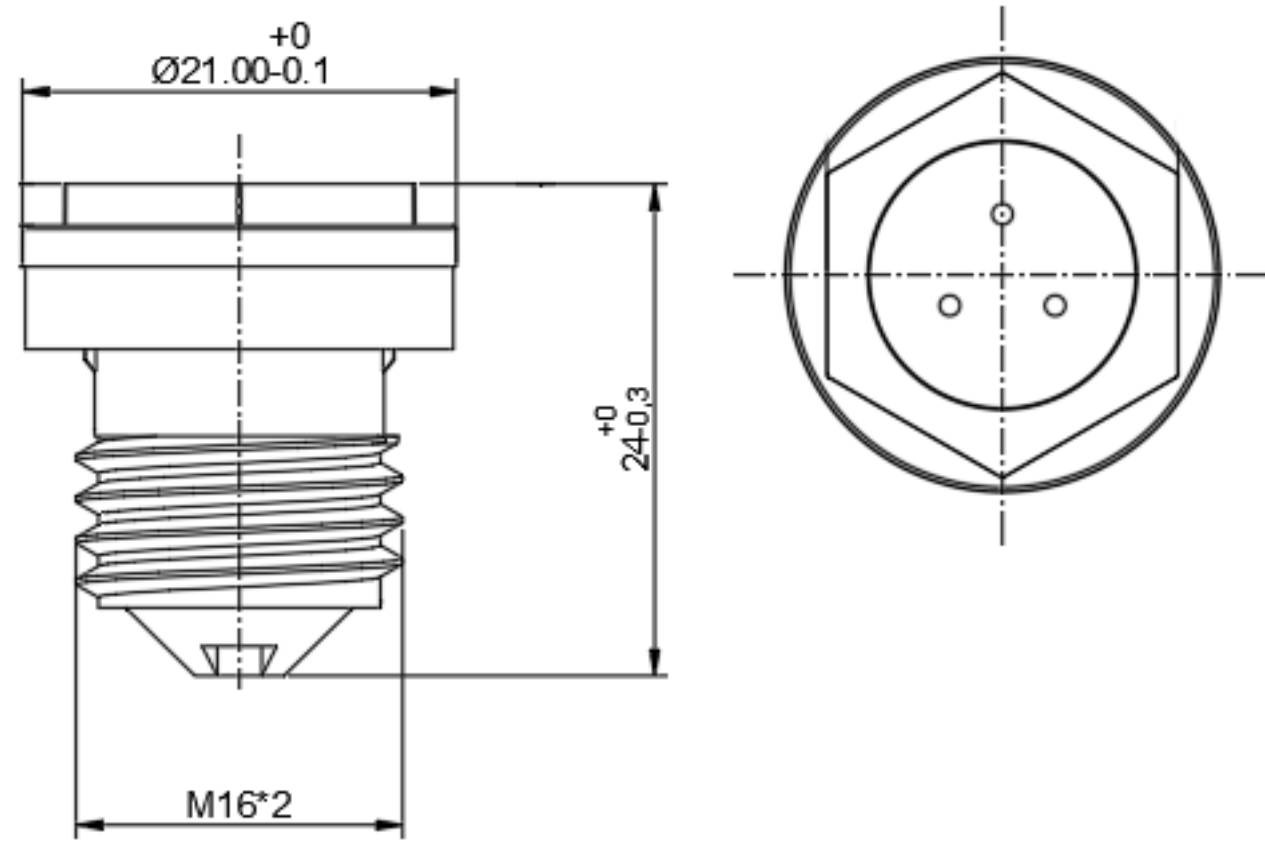
蓄电池安全阀 Battery safety valve



SP-A102-01A

主要尺寸 Specifications (mm)				性能参数 Parameters		
顶部直径 Head Diameter	螺纹直径 Screw Diameter	螺纹间距 Screw Pitch	长度 Length	产品性能检测 Condition	检测项目 Test Project	检测标准 Standard
24mm	M18mm		20mm	正常检测 Basic detection	开阀压力 Opening Valve pressure	12.5±2Kpa
					闭阀压力 Closing Valve pressure	11.5±2Kpa
					开闭阀压力差 Valve pressure defference	≤1.0Kpa
				耐酸耐腐蚀试验 Acid and corrosion resistance test	开阀压力 Opening Valve pressure	12.5±2Kpa
					闭阀压力 Closing Valve pressure	11.5 ⁺³ ₋₂ Kpa
					开闭阀压力差 Valve pressure defference	≤2.0Kpa
				高低温试验 (高温90°C低温-30°C/48H) High and low temperature resistance test (high temperature 90 °C /48H)	开阀压力 Opening Valve pressure	12.5±2Kpa
					闭阀压力 Closing Valve pressure	11.5 ⁺³ ₋₂ Kpa
					开闭阀压力差 Valve pressure defference	≤2.0Kpa
				耐老化试验 (高温90°C/90天) Aging resistance test (high temperature 90 °C /90days)	开阀压力 Opening Valve pressure	12.5 ⁺² ₋₃ Kpa
					闭阀压力 Closing Valve pressure	11.5±3Kpa
					开闭阀压力差 Valve pressure defference	≤2.0Kpa
				(40±1)°C 水浴中箱内的50%深度循环放电测试和 (75±2)°C 高温稳定测试(40±1)°C 50% deep cycle discharge test in the water bath and (75±2)°C high temperature stability test	质量变化率 Mass change fraction	≤3%
				工作环境 Working environment test	~40°C~+80°C	正常
				橡胶垫圈 Rubber gasket	邵氏A硬度 Shaw A hardness	53±3°
					腐蚀后断裂延长率 Elongation at break after corrosion	≥300%
腐蚀后拉伸强度 Tensile strength after corrosion	≥5Mpa					
压缩永久变形 (90°C/22h) Compression set (90 °C/22h)	≤30%					

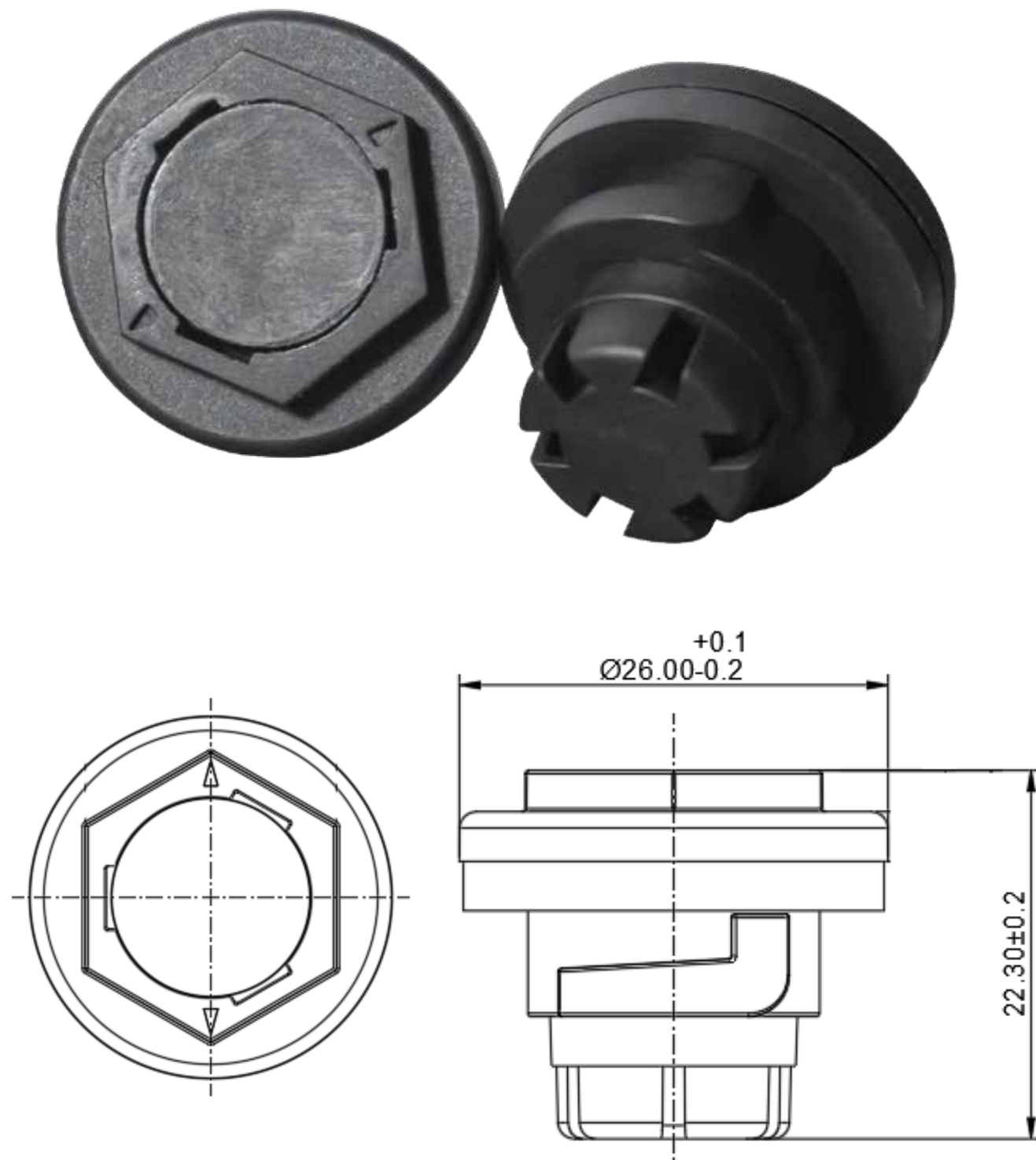
蓄电池安全阀 Battery safety valve



SP-A103-01A

主要尺寸 Specifications(mm)				性能参数 Parameters						
顶部直径 Head Diameter	螺纹直径 Screw Diameter	螺纹间距 Screw Pitch	长度 Length	产品性能检测 Condition	检测项目 Test Project	检测标准 Standard				
21mm	M16mm	2mm	24mm	正常检测 Basic detection	开阀压力 Opening Valve pressure	12.5±2Kpa				
					闭阀压力 Closing Valve pressure	11.5±2Kpa				
					开闭阀压力差 Valve pressure difference	≤1.0Kpa				
				耐酸耐腐蚀试验 Acid and corrosion resistance test	开阀压力 Opening Valve pressure	12.5±2Kpa				
					闭阀压力 Closing Valve pressure	11.5 ⁺³ ₋₂ Kpa				
					开闭阀压力差 Valve pressure difference	≤2.0Kpa				
				高低温试验 (高温90°C低温-30°C/48H) High and low temperature resistance test (high temperature 90 °C /48H)	开阀压力 Opening Valve pressure	12.5±2Kpa				
					闭阀压力 Closing Valve pressure	11.5 ⁺³ ₋₂ Kpa				
					开闭阀压力差 Valve pressure difference	≤2.0Kpa				
				耐老化试验 (高温90°C/90天) Aging resistance test (high temperature 90 °C /90days)	开阀压力 Opening Valve pressure	12.5 ⁺² ₋₃ Kpa				
					闭阀压力 Closing Valve pressure	11.5±3Kpa				
					开闭阀压力差 Valve pressure difference	≤2.0Kpa				
				(40±1)°C 水浴中箱内的50%深度循环放电测试和 (75±2)°C 高温稳定测试(40±1)°C 50% deep cycle discharge test in the water bath and (75±2)°C high temperature stability test					质量变化率 Mass change fraction	≤3%
				工作环境 Working environment test					~40°C~+80°C	正常
橡胶垫圈 Rubber gasket					邵氏A硬度 Shaw A hardness	53±3°				
					腐蚀后断裂伸长率 Elongation at break after corrosion	≥300%				
					腐蚀后拉伸强度 Tensile strength after corrosion	≥5Mpa				
					压缩永久变形 (90°C/22h) Compression set (90 °C/22h)	≤30%				

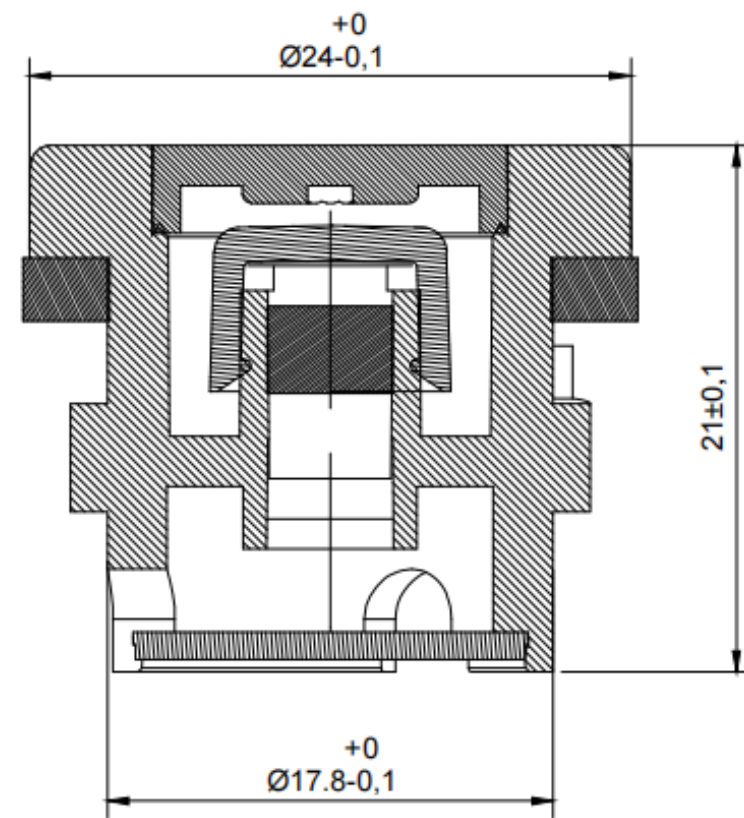
蓄电池安全阀 Battery safety valve



SP-A104-01A

主要尺寸 Specifications(mm)				性能参数 Parameters						
顶部直径 Head Diameter	螺纹直径 Screw Diameter	螺纹间距 Screw Pitch	长度 Length	产品性能检测 Condition	检测项目 Test Project	检测标准 Standard				
26mm			22.3mm	正常检测 Basic detection	开阀压力 Opening Valve pressure	12.5±2Kpa				
					闭阀压力 Closing Valve pressure	11.5±2Kpa				
					开闭阀压力差 Valve pressure defference	≤1.0Kpa				
				耐酸耐腐蚀试验 Acid and corrosion resistance test	开阀压力 Opening Valve pressure	12.5±2Kpa				
					闭阀压力 Closing Valve pressure	11.5 ⁺³ ₋₂ Kpa				
					开闭阀压力差 Valve pressure defference	≤2.0Kpa				
				高低温试验 (高温90°C低温-30°C/48H) High and low temperature resistance test (high temperature 90 °C /48H)	开阀压力 Opening Valve pressure	12.5±2Kpa				
					闭阀压力 Closing Valve pressure	11.5 ⁺³ ₋₂ Kpa				
					开闭阀压力差 Valve pressure defference	≤2.0Kpa				
				耐老化试验 (高温90°C/90天) Aging resistance test (high temperature 90 °C /90days)	开阀压力 Opening Valve pressure	12.5 ⁺² ₋₃ Kpa				
					闭阀压力 Closing Valve pressure	11.5±3Kpa				
					开闭阀压力差 Valve pressure defference	≤2.0Kpa				
				<small>(40±1)°C 水浴中箱内的50%深度循环放电测试和 (75±2)°C 高温稳定测试(40±1)°C 50% deep cycle discharge test in the water bath and (75±2)°C high temperature stability test</small>					质量变化率 Mass change fraction	≤3%
				工作环境 Working environment test					~40°C~+80°C	正常
				橡胶垫圈 Rubber gasket					邵氏A硬度 Shaw A hardness	53±3°
									腐蚀后断裂延长率 Elongation at break after corrosion	≥300%
腐蚀后拉伸强度 Tensile strength after corrosion	≥5Mpa									
压缩永久变形 (90°C/22h) Compression set [90 °C/22h]	≤30%									

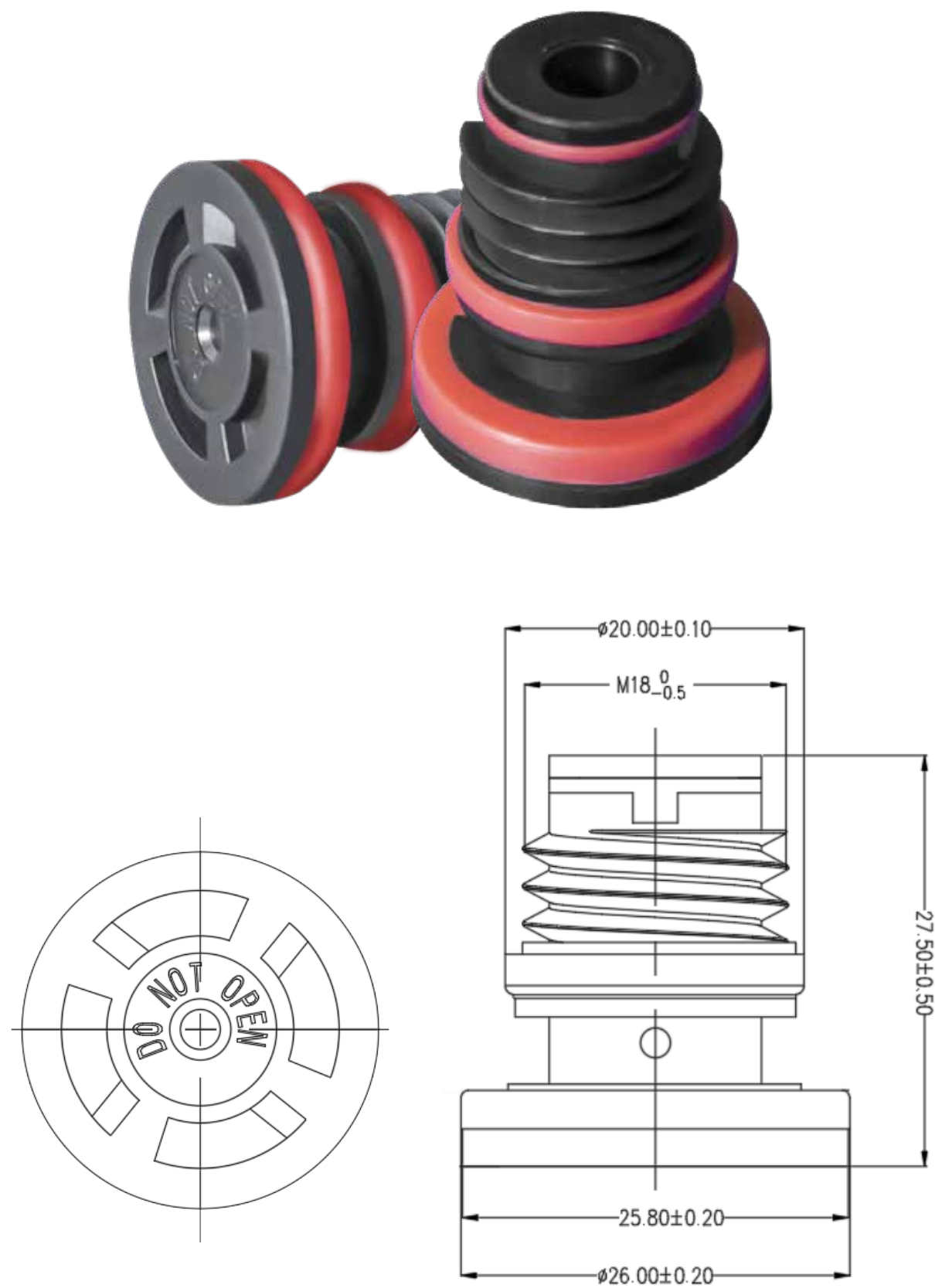
蓄电池安全阀 Battery safety valve



SP-A105-01A

主要尺寸 Specifications(mm)				性能参数 Parameters		
顶部直径 Head Diameter	螺纹直径 Screw Diameter	螺纹间距 Screw Pitch	长度 Length	产品性能检测 Condition	检测项目 Test Project	检测标准 Standard
24mm	/	/	21mm	正常检测 Basic detection	开阀压力 Opening Valve pressure	12.5±2Kpa
					闭阀压力 Closing Valve pressure	11.5±2Kpa
				耐酸耐腐蚀试验 Acid and corrosion resistance test	开阀压力 Opening Valve pressure	12.5±2Kpa
					闭阀压力 Closing Valve pressure	11.5 ⁺³ ₋₂ Kpa
				高低温试验 (高温90°C低温-30°C/48H) High and low temperature resistance test (high temperature 90 °C /48H)	开阀压力 Opening Valve pressure	12.5±2Kpa
					闭阀压力 Closing Valve pressure	11.5 ⁺³ ₋₂ Kpa
				耐老化试验 (高温90°C/90天) Aging resistance test (high temperature 90 °C /90days)	开阀压力 Opening Valve pressure	12.5 ⁺² ₋₃ Kpa
					闭阀压力 Closing Valve pressure	11.5±3Kpa
				(40±1) °C 水浴中箱内的50%深度循环放电测试和 (75±2) °C 高温稳定测试(40±1)°C 50% deep cycle discharge test in the water bath and (75±2)°C high temperature stability test	质量变化率 Mass change fraction	≤3%
				工作环境 Working environment test	~40°C~+80°C	正常
橡胶垫圈 Rubber gasket	邵氏A硬度 Shaw A hardness	53±3°				
	腐蚀后断裂伸长率 Elongation at break after corrosion	≥300%				
	腐蚀后拉伸强度 Tensile strength after corrosion	≥5Mpa				
	压缩永久变形 (90°C/22h) Compression set (90 °C/22h)	≤30%				

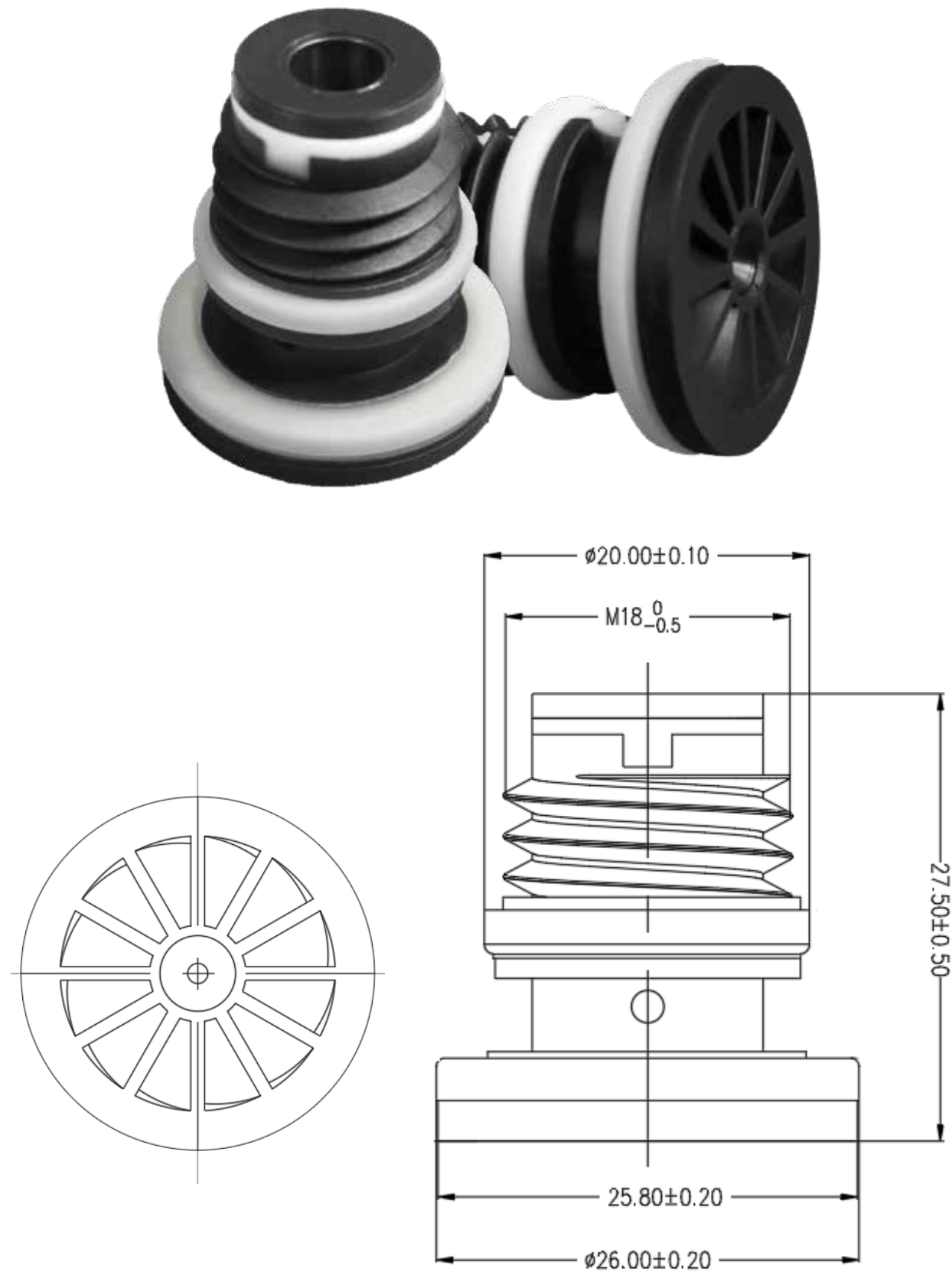
蓄电池安全阀 Battery safety valve



SP-B101-01A

主要尺寸 Specifications(mm)				性能参数 Parameters						
顶部直径 Head Diameter	螺纹直径 Screw Diameter	螺纹间距 Screw Pitch	长度 Length	产品性能检测 Condition	检测项目 Test Project	检测标准 Standard				
25.8mm	M18mm	2.5mm	27.5mm	正常检测 Basic detection	开阀压力 Opening Valve pressure	12.5±2Kpa				
					闭阀压力 Closing Valve pressure	11.5±2Kpa				
					开闭阀压力差 Valve pressure difference	≤2.0Kpa				
				耐酸耐腐蚀试验 Acid and corrosion resistance test	开阀压力 Opening Valve pressure	12.5±3Kpa				
					闭阀压力 Closing Valve pressure	11.5 ⁺³ ₋₂ Kpa				
					开闭阀压力差 Valve pressure difference	≤2.0Kpa				
				高低温试验(高温90°C低温-30°C/48H) High and low temperature resistance test (high temperature 90 °C /48H)	开阀压力 Opening Valve pressure	12.5±3Kpa				
					闭阀压力 Closing Valve pressure	12.0±3Kpa				
					开闭阀压力差 Valve pressure difference	≤2.0Kpa				
				耐老化试验(高温90°C/90天) Aging resistance test (high temperature 90 °C /90days)	开阀压力 Opening Valve pressure	12.5 ⁺² ₋₃ Kpa				
					闭阀压力 Closing Valve pressure	11.5±3Kpa				
					开闭阀压力差 Valve pressure difference	≤2.0Kpa				
				(40±1)°C 水浴中箱内的50%深度循环放电测试和(75±2)°C 高温稳定测试(40±1)°C 50% deep cycle discharge test in the water bath and (75±2)°C high temperature stability test					质量变化率 Mass change fraction	≤3%
				工作环境 Working environment test					~40°C~+80°C	正常
				橡胶垫圈 Rubber gasket					邵氏A硬度 Shaw A hardness	40±3°
									腐蚀后断裂伸长率 Elongation at break after corrosion	≥300%
腐蚀后拉伸强度 Tensile strength after corrosion	≥5Mpa									
压缩永久变形(90°C/22h) Compression set (90 °C/22h)	≤35%									

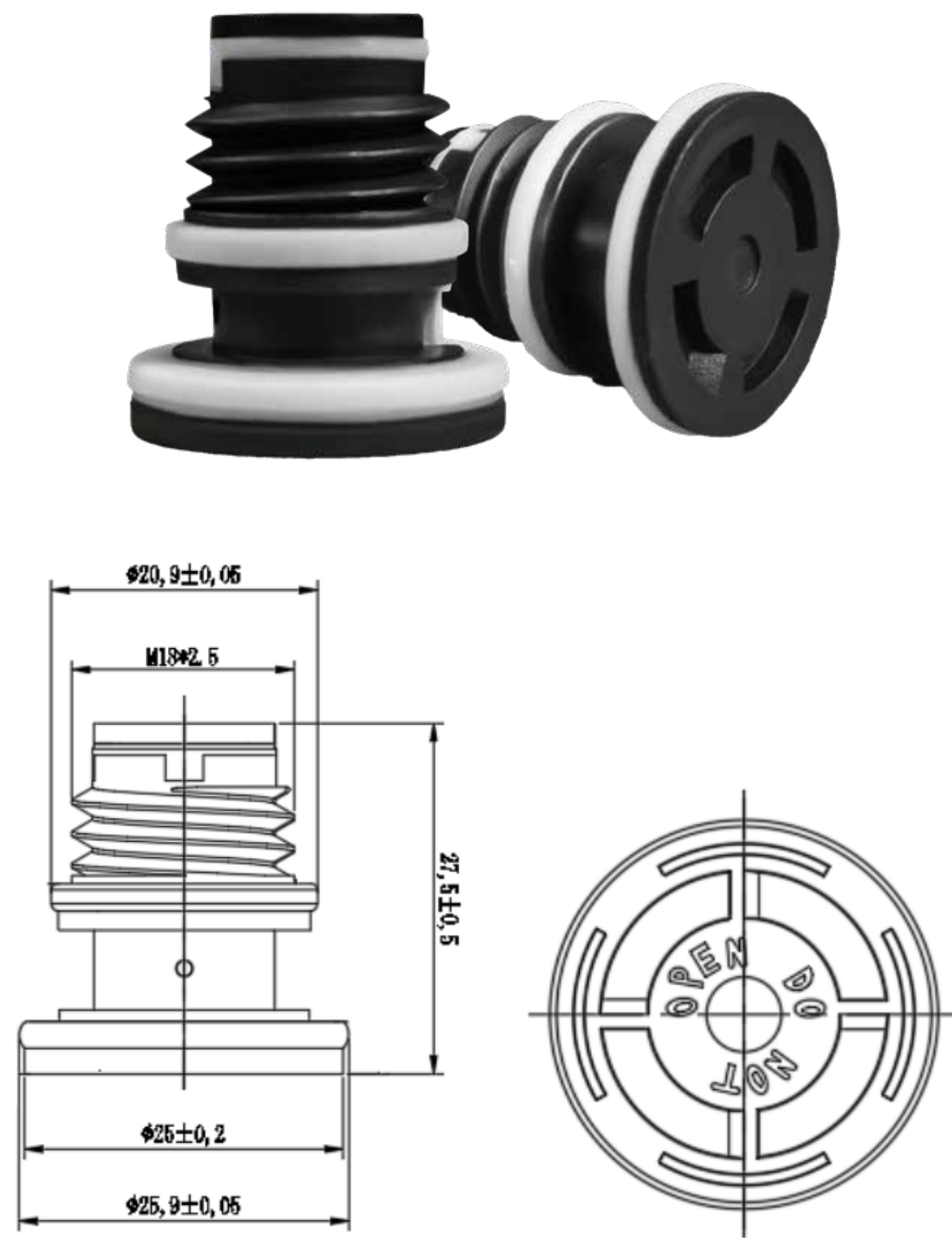
蓄电池安全阀 Battery safety valve



SP-B101-02A

主要尺寸Specifications(mm)				性能参数Parameters						
顶部直径 Head Diameter	螺纹直径 Screw Diameter	螺纹间距 Screw Pitch	长度 Length	产品性能检测 Condition	检测项目 Test Project	检测标准 Standard				
25.8mm	M18mm	2.5mm	27.5mm	正常检测 Basic detection	开阀压力 Opening Valve pressure	12.5±2Kpa				
					闭阀压力 Closing Valve pressure	11.5±2Kpa				
					开闭阀压力差 Valve pressure difference	≤2.0Kpa				
				耐酸耐腐蚀试验 Acid and corrosion resistance test	开阀压力 Opening Valve pressure	12.5±3Kpa				
					闭阀压力 Closing Valve pressure	11.5 ⁺³ ₋₂ Kpa				
					开闭阀压力差 Valve pressure difference	≤2.0Kpa				
				高低温试验(高温90°C低温-30°C/48H) High and low temperature resistance test (high temperature 90 °C /48H)	开阀压力 Opening Valve pressure	12.5±3Kpa				
					闭阀压力 Closing Valve pressure	12.0±3Kpa				
					开闭阀压力差 Valve pressure difference	≤2.0Kpa				
				耐老化试验(高温90°C/90天) Aging resistance test (high temperature 90 °C /90days)	开阀压力 Opening Valve pressure	12.5 ⁺² ₋₃ Kpa				
					闭阀压力 Closing Valve pressure	11.5±3Kpa				
					开闭阀压力差 Valve pressure difference	≤2.0Kpa				
				(40±1)°C 水浴中箱内的50%深度循环放电测试和(75±2)°C 高温稳定测试(40±1)°C 50% deep cycle discharge test in the water bath and (75±2)°C high temperature stability test					质量变化率 Mass change fraction	≤3%
				工作环境 Working environment test					-40°C~+80°C	正常
				橡胶垫圈 Rubber gasket					邵氏A硬度 Shaw A hardness	40±3°
									腐蚀后断裂延长率 Elongation at break after corrosion	≥300%
腐蚀后拉伸强度 Tensile strength after corrosion	≥5Mpa									
压缩永久变形(90°C/22h) Compression set (90 °C/22h)	≤35%									

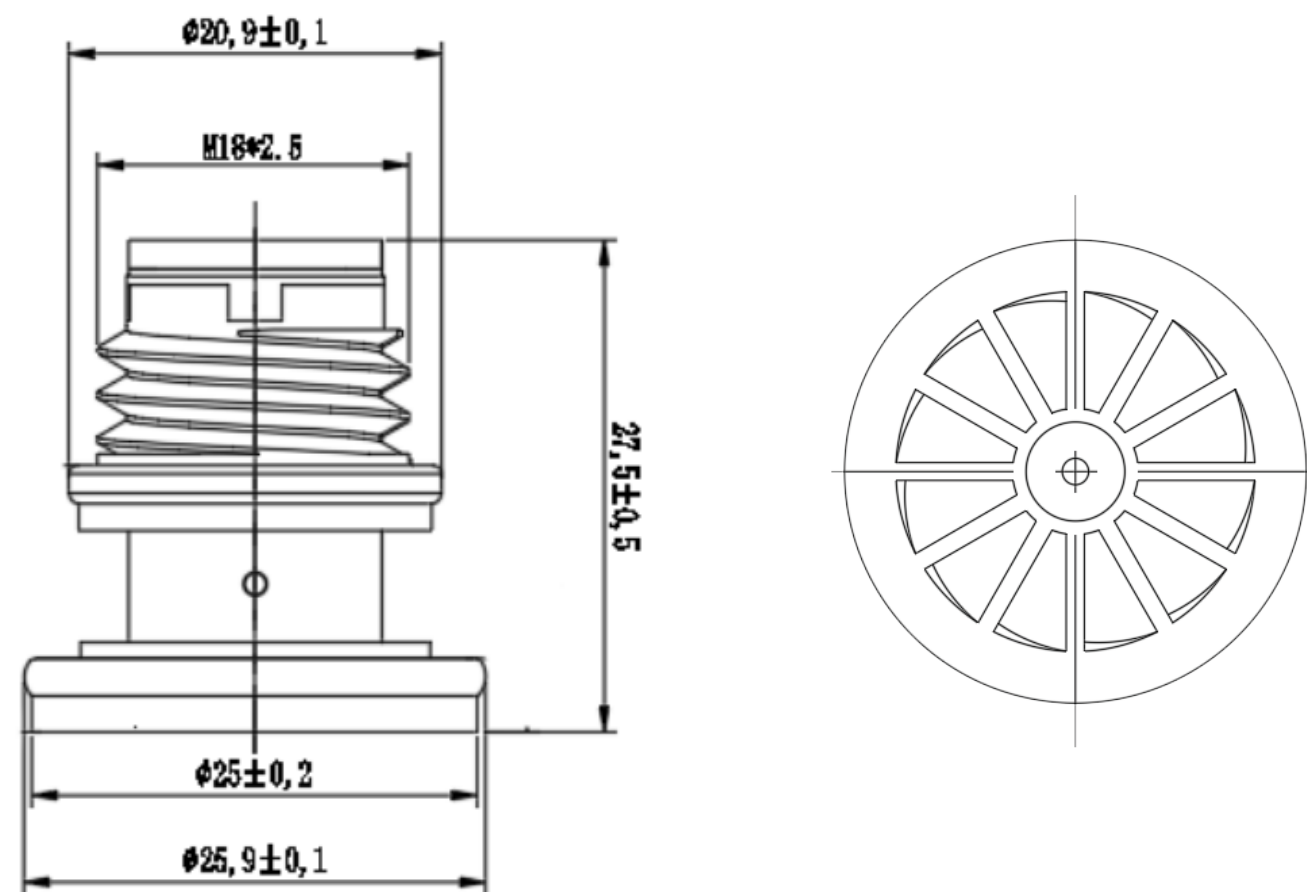
蓄电池安全阀 Battery safety valve



SP-B102-01A

主要尺寸 Specifications(mm)				性能参数 Parameters						
顶部直径 Head Diameter	螺纹直径 Screw Diameter	螺纹间距 Screw Pitch	长度 Length	产品性能检测 Condition	检测项目 Test Project	检测标准 Standard				
25.0mm	M18mm	2.5mm	27.5mm	正常检测 Basic detection	开阀压力 Opening Valve pressure	12.5±2Kpa				
					闭阀压力 Closing Valve pressure	11.5±2Kpa				
					开闭阀压力差 Valve pressure difference	≤2.0Kpa				
				耐酸耐腐蚀试验 Acid and corrosion resistance test	开阀压力 Opening Valve pressure	12.5±3Kpa				
					闭阀压力 Closing Valve pressure	11.5 ⁺³ ₋₂ Kpa				
					开闭阀压力差 Valve pressure difference	≤2.0Kpa				
				高低温试验 (高温90°C/低温-30°C/48H) High and low temperature resistance test (high temperature 90 °C /48H)	开阀压力 Opening Valve pressure	12.5±3Kpa				
					闭阀压力 Closing Valve pressure	12.0±3Kpa				
					开闭阀压力差 Valve pressure difference	≤2.0Kpa				
				耐老化试验 (高温90°C/90天) Aging resistance test (high temperature 90 °C /90days)	开阀压力 Opening Valve pressure	12.5 ⁺² ₋₃ Kpa				
					闭阀压力 Closing Valve pressure	11.5±3Kpa				
					开闭阀压力差 Valve pressure difference	≤2.0Kpa				
				<small>(40±1)°C 水浴中箱内的50%深度循环放电测试和 (75±2)°C 高温稳定测试(40±1)°C 50% deep cycle discharge test in the water bath and (75±2)°C high temperature stability test</small>					质量变化率 Mass change fraction	≤3%
				工作环境 Working environment test					~40°C~+80°C	正常
橡胶垫圈 Rubber gasket					邵氏A硬度 Shaw A hardness	40±3°				
					腐蚀后断裂延长率 Elongation at break after corrosion	≥300%				
					腐蚀后拉伸强度 Tensile strength after corrosion	≥5Mpa				
					压缩永久变形 (90°C/22h) Compression set (90 °C/22h)	≤35%				

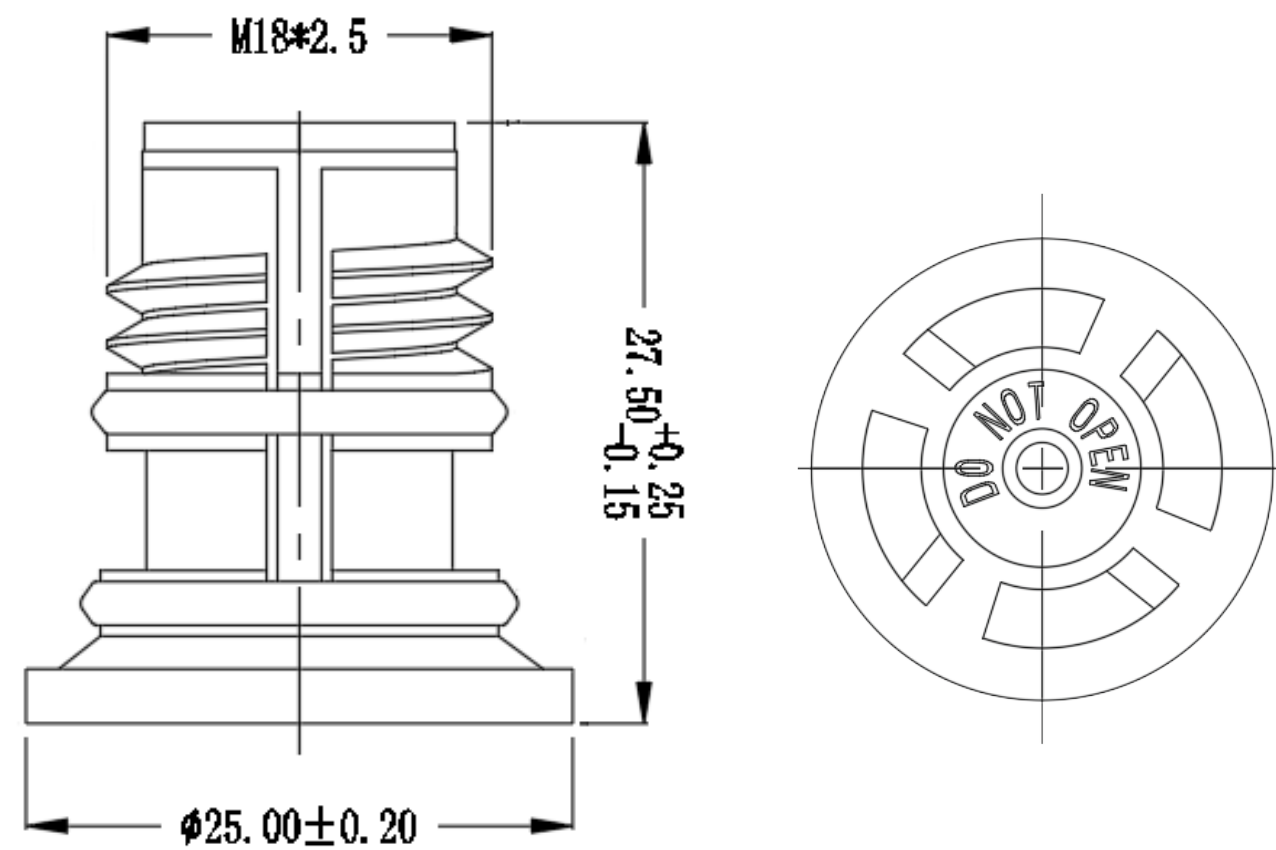
蓄电池安全阀 Battery safety valve



SP-B102-02A

主要尺寸 Specifications(mm)				性能参数 Parameters						
顶部直径 Head Diameter	螺纹直径 Screw Diameter	螺纹间距 Screw Pitch	长度 Length	产品性能检测 Condition	检测项目 Test Project	检测标准 Standard				
25.0mm	M18mm	2.5mm	27.5mm	正常检测 Basic detection	开阀压力 Opening Valve pressure	12.5±2Kpa				
					闭阀压力 Closing Valve pressure	11.5±2Kpa				
					开闭阀压力差 Valve pressure defference	≤2.0Kpa				
				耐酸耐腐蚀试验 Acid and corrosion resistance test	开阀压力 Opening Valve pressure	12.5±3Kpa				
					闭阀压力 Closing Valve pressure	11.5 ⁺³ ₋₂ Kpa				
					开闭阀压力差 Valve pressure defference	≤2.0Kpa				
				高低温试验(高温90°C低温-30°C/48H) High and low temperature resistance test (high temperature 90 °C /48H)	开阀压力 Opening Valve pressure	12.5±3Kpa				
					闭阀压力 Closing Valve pressure	12.0±3Kpa				
					开闭阀压力差 Valve pressure defference	≤2.0Kpa				
				耐老化试验(高温90°C/90天) Aging resistance test (high temperature 90 °C /90days)	开阀压力 Opening Valve pressure	12.5 ⁺² ₋₃ Kpa				
					闭阀压力 Closing Valve pressure	11.5±3Kpa				
					开闭阀压力差 Valve pressure defference	≤2.0Kpa				
				(40±1)°C 水浴中箱内的50%深度循环放电测试和(75±2)°C 高温稳定测试(40±1)°C 50% deep cycle discharge test in the water bath and (75±2)°C high temperature stability test					质量变化率 Mass change fraction	≤3%
				工作环境 Working environment test					~40°C~+80°C	正常
橡胶垫圈 Rubber gasket					邵氏A硬度 Shaw A hardness	40±3°				
					腐蚀后断裂延长率 Elongation at break after corrosion	≥300%				
					腐蚀后拉伸强度 Tensile strength after corrosion	≥5Mpa				
					压缩永久变形(90°C/22h) Compression set (90 °C/22h)	≤35%				

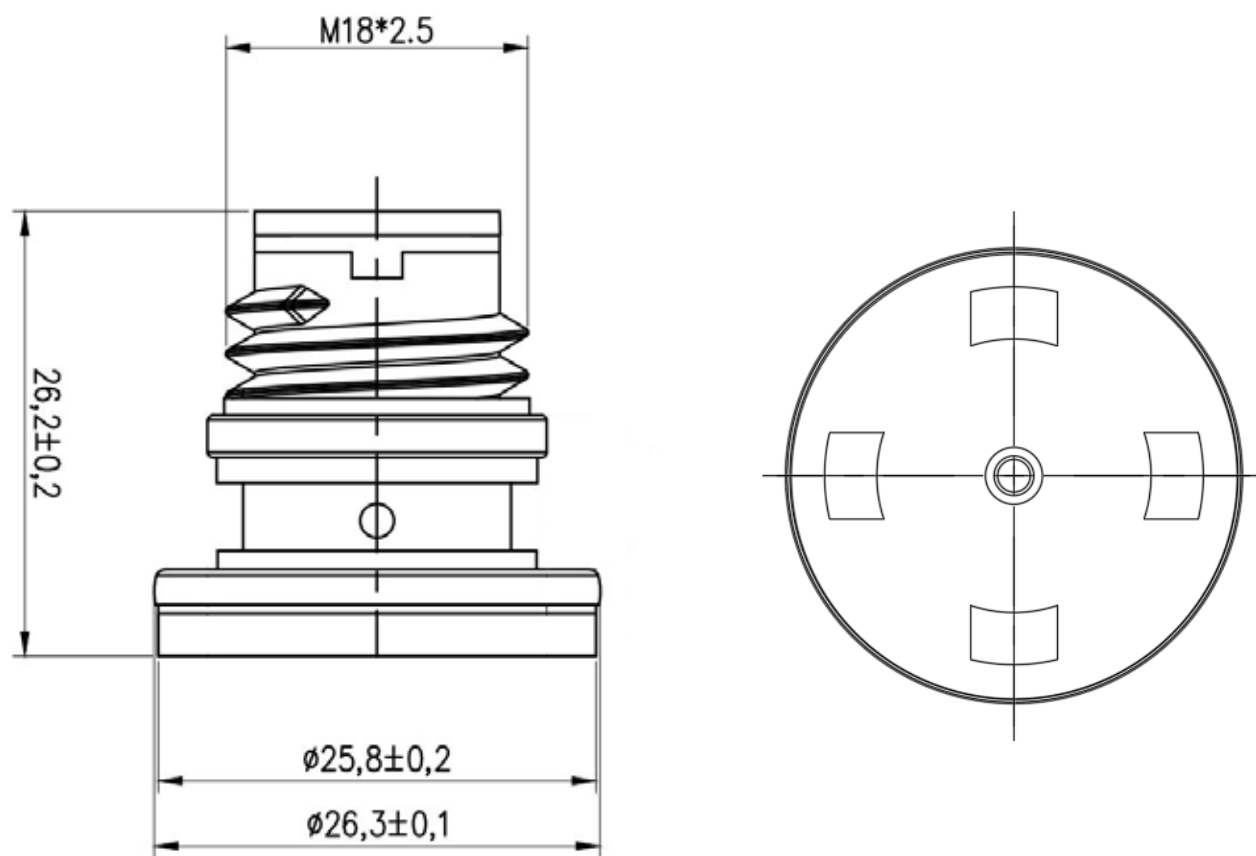
蓄电池安全阀 Battery safety valve



SP-B103-01A

主要尺寸 Specifications(mm)				性能参数 Parameters		
顶部直径 Head Diameter	螺纹直径 Screw Diameter	螺纹间距 Screw Pitch	长度 Length	产品性能检测 Condition	检测项目 Test Project	检测标准 Standard
25mm	M18mm	2.5mm	27.5mm	正常检测 Basic detection	开阀压力 Opening Valve pressure	12.5±2Kpa
					闭阀压力 Closing Valve pressure	11.5±2Kpa
					开闭阀压力差 Valve pressure difference	≤2.0Kpa
				耐酸耐腐蚀试验 Acid and corrosion resistance test	开阀压力 Opening Valve pressure	12.5±3Kpa
					闭阀压力 Closing Valve pressure	11.5 ⁺³ ₋₂ Kpa
					开闭阀压力差 Valve pressure difference	≤2.0Kpa
				高低温试验(高温90°C低温-30°C/48H) High and low temperature resistance test (high temperature 90 °C /48H)	开阀压力 Opening Valve pressure	12.5±3Kpa
					闭阀压力 Closing Valve pressure	12.0±3Kpa
					开闭阀压力差 Valve pressure difference	≤2.0Kpa
				耐老化试验(高温90°C/90天) Aging resistance test (high temperature 90 °C /90days)	开阀压力 Opening Valve pressure	12.5 ⁺² ₋₃ Kpa
					闭阀压力 Closing Valve pressure	11.5±3Kpa
					开闭阀压力差 Valve pressure difference	≤2.0Kpa
				(40±1)°C 水浴中箱内的50%深度循环放电测试和(75±2)°C 高温稳定测试(40±1)°C 50% deep cycle discharge test in the water bath and (75±2)°C high temperature stability test	质量变化率 Mass change fraction	≤3%
				工作环境 Working environment test	~40°C~+80°C	正常
橡胶垫圈 Rubber gasket	邵氏A硬度 Shaw A hardness	40±3°				
	腐蚀后断裂延长率 Elongation at break after corrosion	≥300%				
	腐蚀后拉伸强度 Tensile strength after corrosion	≥5Mpa				
	压缩永久变形(90°C/22h) Compression set (90 °C/22h)	≤35%				

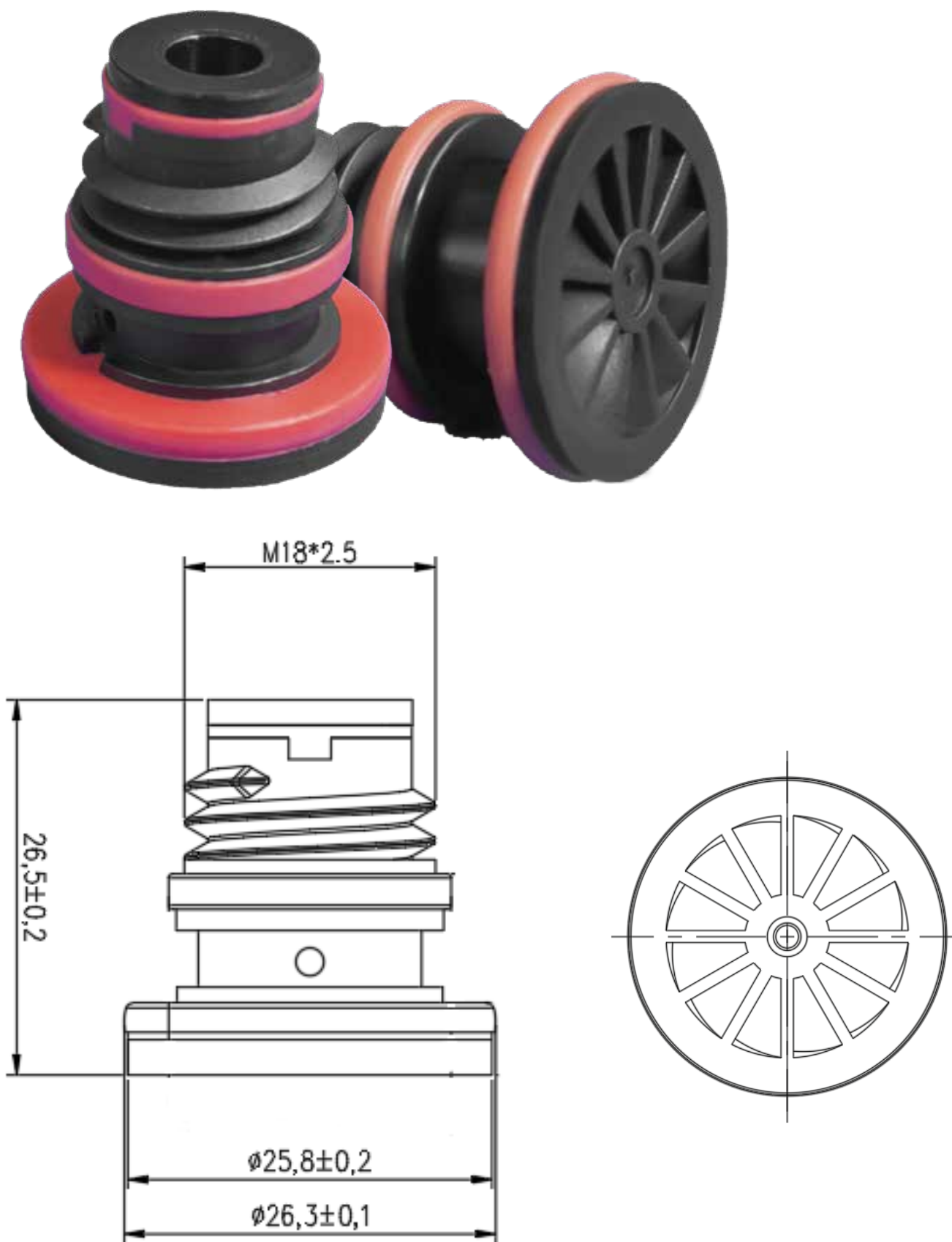
蓄电池安全阀 Battery safety valve



SP-B104-01A

主要尺寸 Specifications(mm)				性能参数 Parameters					
顶部直径 Head Diameter	螺纹直径 Screw Diameter	螺纹间距 Screw Pitch	长度 Length	产品性能检测 Condition	检测项目 Test Project	检测标准 Standard			
25.8mm	M18mm	2.5mm	26.2mm	正常检测 Basic detection	开阀压力 Opening Valve pressure	12.5±2Kpa			
					闭阀压力 Closing Valve pressure	11.5±2Kpa			
					开闭阀压力差 Valve pressure defference	≤2.0Kpa			
				耐酸耐腐蚀试验 Acid and corrosion resistance test	开阀压力 Opening Valve pressure	12.5±3Kpa			
					闭阀压力 Closing Valve pressure	11.5 ⁺³ ₋₂ Kpa			
					开闭阀压力差 Valve pressure defference	≤2.0Kpa			
				高低温试验 (高温90°C低温-30°C/48H) High and low temperature resistance test (high temperature 90 °C /48H)	开阀压力 Opening Valve pressure	12.5±3Kpa			
					闭阀压力 Closing Valve pressure	12.0±3Kpa			
					开闭阀压力差 Valve pressure defference	≤2.0Kpa			
				耐老化试验 (高温90°C/90天) Aging resistance test (high temperature 90 °C /90days)	开阀压力 Opening Valve pressure	12.5 ⁺² ₋₃ Kpa			
					闭阀压力 Closing Valve pressure	11.5±3Kpa			
					开闭阀压力差 Valve pressure defference	≤2.0Kpa			
				(40±1)°C 水浴中箱内的50%深度循环放电测试和 (75±2)°C 高温稳定测试(40±1)°C 50% deep cycle discharge test in the water bath and (75±2)°C high temperature stability test				质量变化率 Mass change fraction	≤3%
				工作环境 Working environment test				~40°C~+80°C	正常
橡胶垫圈 Rubber gasket				邵氏A硬度 Shaw A hardness	40±3°				
				腐蚀后断裂延长率 Elongation at break after corrosion	≥300%				
				腐蚀后拉伸强度 Tensile strength after corrosion	≥5Mpa				
				压缩永久变形 (90°C/22h) Compression set (90 °C/22h)	≤35%				

蓄电池安全阀 Battery safety valve



SP-B104-02A

主要尺寸 Specifications(mm)				性能参数 Parameters					
顶部直径 Head Diameter	螺纹直径 Screw Diameter	螺纹间距 Screw Pitch	长度 Length	产品性能检测 Condition	检测项目 Test Project	检测标准 Standard			
25.8mm	M18mm	2.5mm	26.5mm	正常检测 Basic detection	开阀压力 Opening Valve pressure	12.5±2Kpa			
					闭阀压力 Closing Valve pressure	11.5±2Kpa			
					开闭阀压力差 Valve pressure difference	≤2.0Kpa			
				耐酸耐腐蚀试验 Acid and corrosion resistance test	开阀压力 Opening Valve pressure	12.5±3Kpa			
					闭阀压力 Closing Valve pressure	11.5 ⁺³ / ₋₂ Kpa			
					开闭阀压力差 Valve pressure difference	≤2.0Kpa			
				高低温试验(高温90°C低温-30°C/48H) High and low temperature resistance test (high temperature 90 °C /48H)	开阀压力 Opening Valve pressure	12.5±3Kpa			
					闭阀压力 Closing Valve pressure	12.0±3Kpa			
					开闭阀压力差 Valve pressure difference	≤2.0Kpa			
				耐老化试验(高温90°C/90天) Aging resistance test (high temperature 90 °C /90days)	开阀压力 Opening Valve pressure	12.5 ⁺² / ₋₃ Kpa			
					闭阀压力 Closing Valve pressure	11.5±3Kpa			
					开闭阀压力差 Valve pressure difference	≤2.0Kpa			
				<small>(40±1)°C 水浴中箱内的50%深度循环放电测试和 (75±2)°C 高温稳定测试(40±1)°C 50% deep cycle discharge test in the water bath and (75±2)°C high temperature stability test</small>				质量变化率 Mass change fraction	≤3%
				工作环境 Working environment test				~40°C~+80°C	正常
				橡胶垫圈 Rubber gasket				邵氏A硬度 Shaw A hardness	40±3°
								腐蚀后断裂延长率 Elongation at break after corrosion	≥300%
腐蚀后拉伸强度 Tensile strength after corrosion	≥5Mpa								
压缩永久变形(90°C/22h) Compression set (90 °C/22h)	≤35%								